

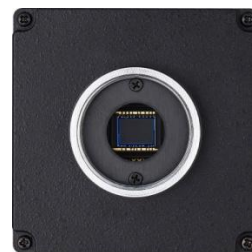
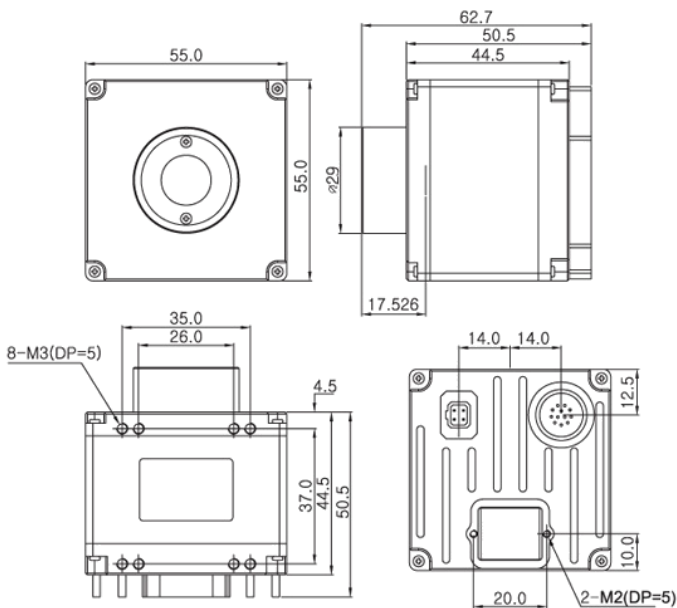
# AMAZON 7000 Series



## Overview

The Amazon series of cameras are compliant with both Gigabit Ethernet and with the GigE Vision standard. In the image processing industry, GigE is gaining more interest thanks to users who are familiar with the Ethernet interface and technology. This interface is expected to lift the barriers of bandwidth limitation found in other interfaces such as FireWire and USB 2.0. It also resolves the limitation of cable length by supporting 100 meter distance with conventional CAT-5e or CAT-6 cable. The new GigE vision camera not only supports the traditional Machine Vision application; but it also supports intelligent traffic systems, medical imaging, high-tech security and more.

## Dimension



# Specifications

Model	IMx-7050G	IMx-7020GH	IMx-7020G	IMx-7018G	IMx-7017G	IMx-7016G	IMx-7015G	IMx-7012G	IMx-7011G	
<b>Image Sensor</b>	2/3" Sony CCD	1/1.8" Sony CCD	1/1.8" Sony CCD	2/3" Sony CCD	1/2" Sony CCD	1/3" Sony CCD	1/3" Sony CCD	1/2" Sony CCD	1/3" Sony CCD	
<b>Sensor Name</b>	ICX 625AL/AQ	ICX274 AL/AQ	ICX274 AL/AQ	ICX285 AL/AQ	ICX267 AL/AK	ICX445 AL/AQ	ICX204 AL/AK	ICX414 AL/AQ	ICX424 AL/AQ	
<b>Resolution</b>	Megapixel	5.0MP	2.0MP	2.0MP	1.4MP	1.4MP	1.3MP	0.78MP	0.3MP	0.3MP
	HxV	2448 x 2048	1600 x 1200	1624 x 1232 (Mono) 1624 x 1228 (Color)	1388 x 1040 (Mono) 1388 x 1036 (Color)	1388 x 1040 (Mono) 1388 x 1036 (Color)	1288 x 964 (Mono) 1288 x 960 (Color)	1032 x 776 (Mono) 1028 x 772 (Color)	656 x 484 (Mono) 652 x 480 (Color)	656 x 484 (Mono) 652 x 480 (Color)
<b>Pixel Size</b>	3.45µm x 3.45µm	4.40µm x 4.40µm	4.40µm x 4.40µm	6.45µm x 6.45µm	4.65µm x 4.65µm	3.75µm x 3.75µm	4.65µm x 4.65µm	9.90µm x 9.90µm	7.40µm x 7.40µm	
<b>Frame Rate</b>	15 fps	30 fps	16 fps	30 fps	30 fps	30 fps	30 fps	86 fps	86 fps	
<b>Digital Interface</b>	Gigabit Ethernet									
<b>Transfer Rate</b>	1000 Mbps									
<b>Scanning System</b>	Progressive Scan									
<b>Shutter Type</b>	Global Shutter									
<b>Data Path</b>	8 or 12 bit B/W (YUV 4:2:2 / YUV 4:1:1 )									
<b>Binning</b>	2x2 (Mono only) * Color/Mono is available for Imx-7020G,GH									
<b>ROI</b>	Partial Scan (Unit:4x4)									
<b>Trigger</b>	External or Software Trigger with various mode									
<b>I/O Port</b>	Ext. Power, Ext. Trigger, RS232, Strobe (12-pin)									
<b>Memory Save/Load</b>	9 Channels (0:factory, 1~4:feature, 5~8:mode/feature)									
<b>SIO(RS-232)</b>	Pass through or IMI-Tech Command									
<b>Gain Control</b>	0 ~ 18 dB (Manual or Auto)									
<b>Shutter Speed</b>	1 µsec ~ 3600 sec									
<b>Control Functions</b>	Brightness, Sharpness, Gamma, Auto-gain, Auto-Exposure, Auto-Shutter, (G gain), Auto White Balance), Auto IRIS									
<b>Lens Mount</b>	C/CS Mount									
<b>Operating Temp.</b>	-5°C ~ 45°C									
<b>Storage Temp.</b>	-30°C ~ 60°C									
<b>Supply Voltage</b>	DC 8V ~ DC 30V									
<b>Dimension</b>	40(W) x 40(H) x 48(D) mm / for IMx-7050G, 7020GH, 7020G 55(W)x55(H)x50.5(D)mm									

Note : Specification may be subject to change without notice.



**imi tech**

(431-767) #616, Mega Valley, 799, Gwanyang 2-dong,  
Dongan-gu, Anyang-si, Gyeonggi-do, Korea  
TEL : +82-31-423-9801(rep), FAX : +82-31-423-9803,

<http://www.imi-tech.com>

# Specifications

Model	IMx-7021GK	IMx-7080GK	IMx-7040GK	IMx-7003GK	
Image Sensor	2/3" Truesense CCD	4/3" Truesense CCD	1" Truesense CCD	1/3" Truesense CCD	
Sensor Name	KAI-02150	KAI-08050	KAI-04050	KAI-0340M	
Resolution	Megapixel	2.1MP	8.0MP	4.0MP	0.3MP
	HxV	1920 x 1080	3296 x 2472	2336 x 1752	640 x 480
Pixel Size	5.50μm x 5.50μm	5.50μm x 5.50μm	5.50μm x 5.50μm	7.40μm x 7.40μm	
Frame Rate	30 fps	7.5 fps	15 fps	200 fps	
Digital Interface	Gigabit Ethernet				
Transfer Rate	1000 Mbps				
Scanning System	Progressive Scan				
Shutter Type	Global Shutter				
Data Path	8 or 12 bit				
Binning	None				
ROI	Partial Scan (Unit:4x4)				
Trigger	External or Software Trigger with various mode				
I/O Port	Ext. Power, Ext. Trigger, RS232, Strobe (12-pin)				
Memory Save/Load	9 Channels (0:factory, 1~4:feature, 5~8:mode/feature)				
SIO(RS-232)	Pass through or IMI-Tech Command				
Gain Control	0 ~ 18 dB (Manual or Auto)				
Shutter Speed	1 μsec ~ 3600 sec				
Control Functions	Brightness, Sharpness, Gamma, Auto-gain, Auto-Exposure, Auto-Shutter, (G (gain), Auto White Balance), Auto IRIS				
Lens Mount	C/CS/F Mount				
Operating Temp.	-5°C ~ 45°C				
Storage Temp.	-30°C ~ 60°C				
Supply Voltage	DC 8V ~ DC 30V				
Dimension	55(W)x55(H)x50.5(D)mm				

Note : Specification may be subject to change without notice.



(431-767) #616, Mega Valley, 799, Gwanyang 2-dong,  
Dongan-gu, Anyang-si, Gyeonggi-do, Korea  
TEL : +82-31-423-9801(rep), FAX : +82-31-423-9803,

<http://www.imi-tech.com>