

CM-141 PMCL / CB-141 PMCL Progressive Scan

C3 Camera Suite
Unlimited
Digital
Switchability



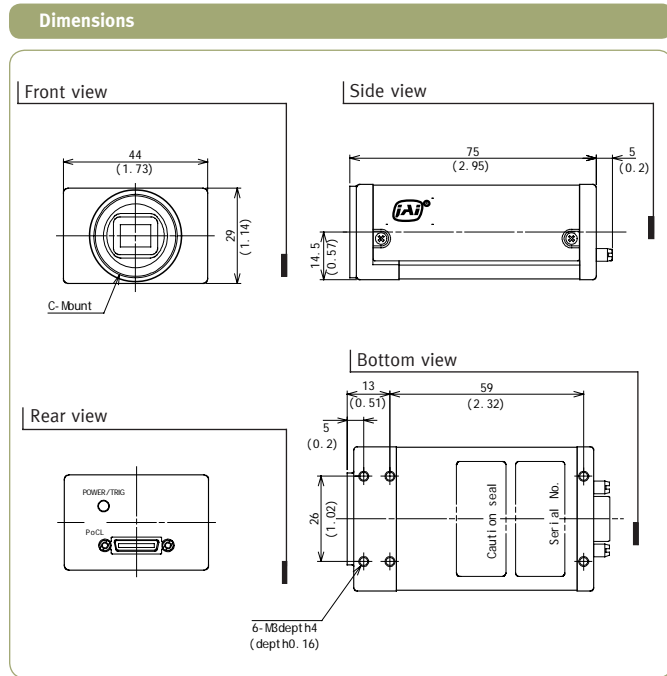
- C3 Compact series 2/3" progressive scan camera
- Monochrome and Bayer mosaic color versions
- 1392 (h) x 1040 (v) active pixels
- 6.45 μm square pixels
- 30 frames/second triggered and continuous operation with full resolution
- Up to 141 frames/second with variable partial scan
- 50 frames/second with vertical binning (CM-141 PMCL only)
- Shutter speed from 63 μs to 2 sec. using Pulse Width Control
- Preset shutter from OFF (1/30) to 1/10,000
- Fine exposure from 1/15847 to 1/85149 by 1 pixel clock unit
- Pre-select, Pulse width and reset continuous trigger modes
- Smearless EPS mode available
- LVAL-synchronous/-asynchronous operation (auto-detect)
- 8, 10 or 12-bit output
- Setup by Windows 2000/XP via serial communication
- Power over Camera Link Interface (PoCL)
- Right angle option available

**CAMERA
Link**
(Power over Camera Link)



Specifications for CM-141 PMCL / CB-141 PMCL

Specifications	CM-141 PMCL / CB-141 PMCL
Sensor	Sony ICX-285AL 2/3" progressive scan CCD (CM-141 PMCL) Sony ICX-285AQ 2/3" progressive scan CCD (CB-141 PMCL)
Pixel Clock	58 MHz
Frame rate full frame	30.12 frames/second (1052 lines per frame)
Active area	8.98 (h) x 6.7 (v) mm 2/3" diagonal
Cell size	6.45 (h) x 6.45 (v) μm
Active pixels	1392 (h) x 1040 (v)
Color (CB-141 MCL)	Selectable Raw Bayer 8, 10 or 12 bit
Read-out modes	Full scan 1392 (h) x 1040 (v) 30.12 fps 2/3 partial scan 1392 (h) x 694 (v) 41.05 fps 1/2 partial scan 1392 (h) x 520 (v) 50.06 fps 1/4 partial scan 1392 (h) x 260 (v) 74.57 fps 1/8 partial scan 1392 (h) x 130 (v) 98.73 fps Vertical binning 1392 (h) x 520 (v) 50.18 fps* (Note) Variable Partical scan Start line from 1 to 1024, high (Lines) from 8 to 1032 *NOTE: CM-141 PMCL only
Sensitivity (CM-141 MCL)	0.03 Lux (On sensor, Max. gain, shutter off, 50% video)
Sensitivity (CB-141 MCL)	0.2 Lux (On sensor, Max. gain, shutter off, 50% video)
S/N ratio	γ58dB (0 dB gain)
Video output	8, 10 or 12 bit in Mini-CL
Gain	-3dB to 24dB
Synchronization	Int. X-tal or ext. trigger
Inputs	Camera Link Ext. trigger, LVDS (CC 1)
Outputs	Camera Link Clk., FVAL, LVAL, Data, EEN
Trigger modes	Edge pre-select, Pulse Width, RCT, Smearless EPS
Electronic shutter	Pre-set shutter speed 1/30 to 1/10,000 in 10 steps Programmable exposure 2L (63μs) to 1052L (33.19ms) in 1L steps Pulse Width Control 63μs to 2 sec. Fine exposure 1/15847 to 1/85149 by 1 pixel clock
Accumulation	Auto-detect LVAL-synchr. / asynchr.
Control interface	Mini-CL serial communication
Functions controlled by serial communication	Shutter, Trigger mode, Readout mode, Trigger Polarity, Black level, Gain,
Indicators on rear panel	LED for power and trigger input
Operating Temperature	-5°C to +50°C
Humidity (operation)	20% - 90% non-condensing
Storage temp./humidity	-25°C to +60°C / 20%-90% non-condensing
Vibration	10G (20Hz to 200 Hz XYZ)
Shock	70G
Regulations	CE (EN 61000-6-2, EN-61000-6-3), FCC part 15 class B, RoHS/WEEE
Power	PoCL Standard
Lens mount	C-mount
Dimensions (H x W x L)	29 x 44 x 75 mm (CM/CB-141 PMCL) 29 x 44 x 93.5 mm (CM/CB-141 PMCL-RA with Right Angle)
Weight	130 g (CM/CB-141 PMCL) 160 g (CM/CB-141 PMCL-RA with Right Angle)

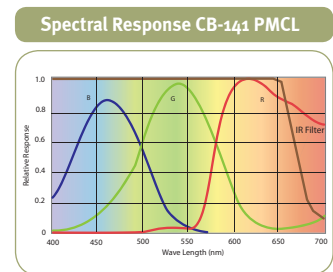
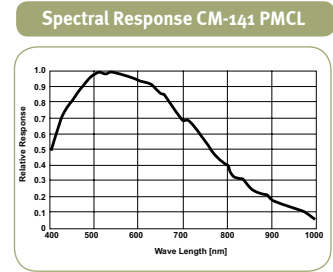


Connector pin-out

Mini-CL interface

Pin	Signal	Function	
1	26	Power	DC +12V
2	15	-/+ Tx0	CL Data
3	16	-/+ Tx1	CL Data
4	17	-/+ Tx2	CL Data
5	18	-/+ Txclk	CL clk
6	19	-/+ Tx3	CL Data
7	20	SerTC+/SerTC-	Serial in
8	21	SerTFG+/SerTFG-	Serial out
9	22	CC1-/CC1+	Ext. trig*
10	23	CC2-/CC2+	Not used
11	24	CC3-/CC3+	Not used
12	25	CC4-/CC4+	Not used
13	14	GND	

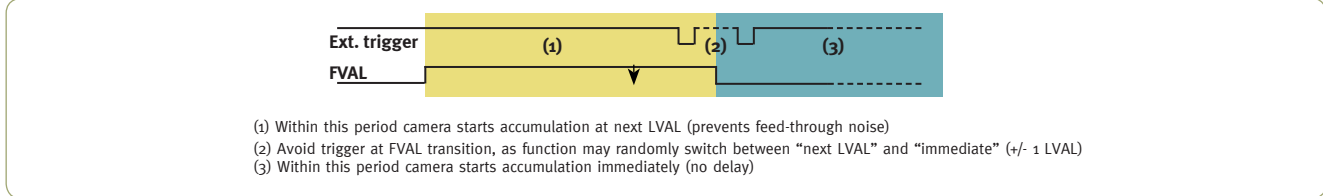
*) in Mini-CL or 12-pin Hirose



Ordering Information

CM-141 PMCL 2/3" Monochrome Progressive Scan
 CB-141 PMCL 2/3" Bayer Mosaic Color Progressive Scan
 CM-141 PMCL-RA 2/3" Monochrome Progressive Scan (with Right Angle)
 CB-141 PMCL-RA 2/3" Bayer Mosaic Color progressive Scan (with Right Angle)

FVAL auto-detect trigger function (next LVAL or immediate)



Europe, Middle East & Africa Phone +45 4457 8888 Fax +45 4491 3252	Asia Pacific Phone +81 45 440 0154 Fax +81 45 440 0166	Americas Phone (Toll-Free) 1 800 445 5444 Phone +1 408 383 0300
---	---	--



Company and product names mentioned in this database are trademarks or registered trademarks of their respective owners. IAI AS cannot be held responsible for any technical or typographical errors and reserves the right to make changes to products and documentation without prior notification.