

❖ CM-030 PMCL-RH Progressive Scan



- *Compact series 1/3" progressive scan camera*
- *Monochrome camera - Remote head with 2m cable*
- *659 (h) x 494 (v) active pixels*
- *7.4 μm square pixels*
- *120 frames/second with external trigger and full resolution*
- *Increased frame rate with vertical binning and partial scan (Up to 504 fps)*
- *Exposure time from 32.48 μs to 2 sec. using Pulse Width Control*
- *Programmable exposure from 32.48 μs to 8.299 ms by 1 LVAL (16.24 μs) increments*
- *Pre-select, Pulse width and Pre-select with Smear Less trigger modes*
- *LVAL-synchronous/-asynchronous operation (auto-detect)*
- *PoCL (Power over CL) standard compliant*
- *10 or 8-bit output*
- *Setup by Windows NT/2000/XP via serial communication*



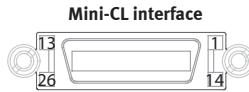
Specifications for CM-030 PMCL-RH

Specifications	CM-030 PMCL-RH
Sensor	1/3" progressive scan CCD
Pixel clock	58 MHz
Frame rate full frame	120 frames/second (511 lines/frame)
Active area	6.4 (h) x 4.8 (v)
Cell size	7.4 (h) x 7.4 (v)
Active pixels	659 (h) x 494 (v)
Read-out modes	
Full	659 (h) x 494 (v) 120.491 fps.
1/2 partial scan	659 (h) x 246 (v) 216.80 fps.
1/4 partial scan	659 (h) x 122 (v) 349.83 fps.
1/8 partial scan	659 (h) x 60 (v) 504.72 fps.
2/3 partial scan	659 (h) x 328 (v) 172.95 fps.
Vertical binning	659 (h) x 247 (v) 193.88 fps.
Region-of-interest (ROI)	659 (h) x 494 (v) 120.491 fps.
Sensitivity	0.3 Lux (0n sensor, max gain, shutter off, 50% video)
S/N ratio	>50dB (0 dB gain)
Video output	Camera Link, 8-bit or 10-bit
Auto iris lens video output	0.7 Vp-p
Gain	Manual/Automatic Range -3 to 12 dB
Synchronization	Int. X-tal or ext. trigger
Inputs	Camera Link TTL Ext. trigger, LVDS (CC 1) Ext. trigger 4V ±2V
Outputs	Camera Link TTL Clk., FVAL, LVAL, Data, EEN XEEN
Trigger modes	Pre-select, Pulse Width, and Pre-select
Electronic shutter	
Pre-set shutter	1/120 to 1/30,000 in 9 steps
Programmable exposure (PE)	2L (32.48µs) to 511L (8.299ms)
Pulse Width	32.48µs to 2 sec.
Control interface	Mini-CL serial communication
Functions controlled via serial communication	Shutter, Trigger mode, Readout mode, Trigger Polarity, Black level, Gain,
Indicators on rear panel	LED for power and trigger input
Operating temperature	-5°C to +45°C
Humidity (operation)	20 - 90% non-condensing
Storage temp./humidity	-25°C to +60°C/20% to 90%
Vibration	10G (20Hz to 200Hz XYZ)
Shock	70G
Regulations	CE (EN 61000-6-2, EN-61000-6-3), FCC part 15 class B, RoHS/WEEE
Power	12V DC +/-10%. <0.3A
Lens mount	φ 17mm Exclusive mount
Dimensions (H x W x L)	Head φ17 x 46mm (φ x D) with 2m cable CCU 44 x 29 x 66 mm (H x W x D)
Weight	Head with 2m cable 120g, CCU 120g

Ordering Information

CM-030 PMCL-RH Monochrome Progressive Scan Camera

Connector pin-out

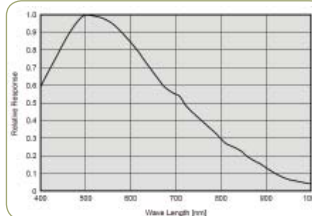


Pin	Signal	Function
1 14	DC+12V / GND	
-	-	
2 15	+/-Tx0	CL Data
3 16	+/-Tx1	CL Data
4 17	+/-Tx2	CL Data
5 18	+/-Txclk	CL clk
6 19	+/-Tx3	CL Data
7 20	SerTC+/SerTC-	Serial in
8 21	SerTFG+/SerTFG-	Serial out
9 22	CC1-/CC1+	Ext. trig*
10 23	CC2+/CC2-	Not used
11 24	CC3-/CC3+	Not used
12 25	CC4+/CC4-	Not used
13 26	GND /DC+12V	

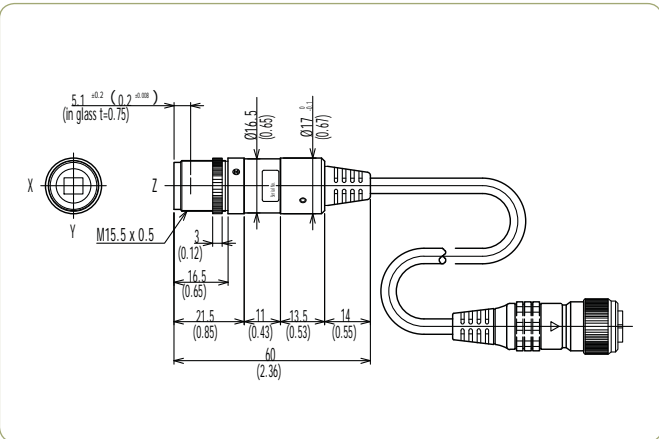
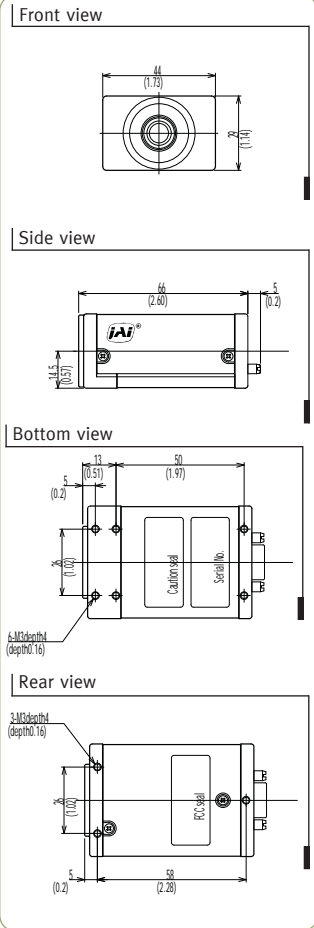
For PoCL version pins 1 and 26 are used for +12V

*) in Mini-CL or 12-pin Hirose

Spectral Response



Dimensions



Company and product names mentioned in this datasheet are trademarks or registered trademarks of their respective owners. JAI AS cannot be held responsible for any technical or typographical errors and reserves the right to make changes to products and documentation without prior notification.

Europe, Middle East & Africa
Phone +45 4457 8888
Fax +45 4491 3252

Asia Pacific
Phone +81 45 440 0154
Fax +81 45 440 0166

Americas
Phone (Toll-Free) 1 800 445 5444
Phone +1 408 383 0300

Visit our web site on www.jai.com

See the possibilities



XXXX05.06.0000