

## HN-P-6M Series Lens

### HN-P-0628-6M-C1/1.8

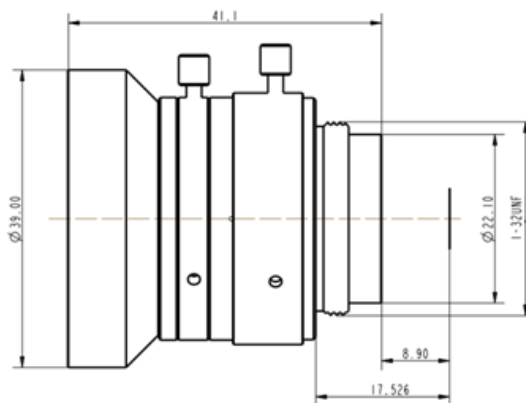


- F=6mm
- 2.4 $\mu$ m
- F2.8
- for 2/3 type Cameras, 6 Megapixel
- Ultra-low optical distortion
- Miniaturized structure

#### Specifications

Model	HN-P-0628-6M-C1/1.8
Sensor Size	1/1.8"
Pixel size ( $\mu$ m)	2.4
Focal Length (mm)	6 $\pm$ 5%
Total Track Length (mm)	49.5 $\pm$ 0.2
Flange distance (mm)	17.526 $\pm$ 0.2
F/No.	F2.8-F16
Angle of View (D $\times$ H $\times$ V)	74.96 $^\circ$ $\times$ 62.5 $^\circ$ $\times$ 44.47 $^\circ$
TV Distortion(%)	$\pm$ 0.81
Basic Working Distance (mm)	300
Focus Range	0.1m- $\infty$
Filter Thread	M37.5XP0.5-7H
Mount	C-mount
Dimensions (mm)	$\Phi$ 39.0 $\times$ 32.5 (w/o thread)

#### Technical Drawing



China Daheng Group, Inc. Beijing Image Vision Technology Branch

12F Daheng Science & Technology Tower, No.3 Suzhou Street, Haidian District,  
Beijing China, 100080

Tel: +86 10 82828878

E-mail: isales@daheng-imaging.com

Specifications are subject to change without prior notice.

Copyright © 2022 China Daheng Group, Inc. Beijing Image Vision Technology Branch. All rights reserved.

June 21, 2021

## HN-P-6M Series Lens

### HN-P-0828-6M-C1/1.8

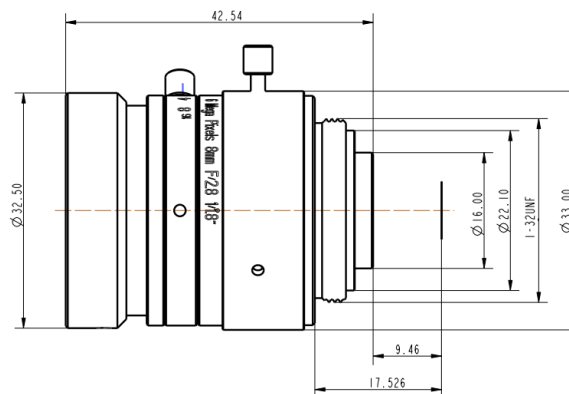


- F=8mm
- 2.4 $\mu$ m
- F2.8
- for 1/1.8 type Cameras, 6 Megapixel
- Ultra-low optical distortion
- Miniaturized structure

#### Specifications

Model	HN-P-0828-6M-C1/1.8
Sensor Size	1/1.8"
Pixel size ( $\mu$ m)	2.4
Focal Length (mm)	8 $\pm$ 5%
Total Track Length (mm)	52 $\pm$ 0.2
Flange distance (mm)	17.526 $\pm$ 0.2
F/No.	F2.8-F16
Angle of View (D $\times$ H $\times$ V)	59.53 $^{\circ}$ $\times$ 48.58 $^{\circ}$ $\times$ 33.84 $^{\circ}$
Optical Distortion(%)	$\pm$ 0.2
Basic Working Distance (mm)	300
Focus Range	0.1m- $\infty$
Filter Thread	M30.5 $\times$ 0.5
Mount	C-mount
Dimensions (mm)	$\Phi$ 33.0 $\times$ 37.47 (w/o thread)

#### Technical Drawing



China Daheng Group, Inc. Beijing Image Vision Technology Branch

12F Daheng Science & Technology Tower, No.3 Suzhou Street, Haidian District,  
 Beijing China, 100080

Tel: +86 10 82828878

E-mail: [isales@daheng-imaging.com](mailto:isales@daheng-imaging.com)

Specifications are subject to change without prior notice.

Copyright © 2023 China Daheng Group, Inc. Beijing Image Vision Technology Branch. All rights reserved.

51032117

## HN-P-6M Series Lens

### HN-P-1228-6M-C1/1.8

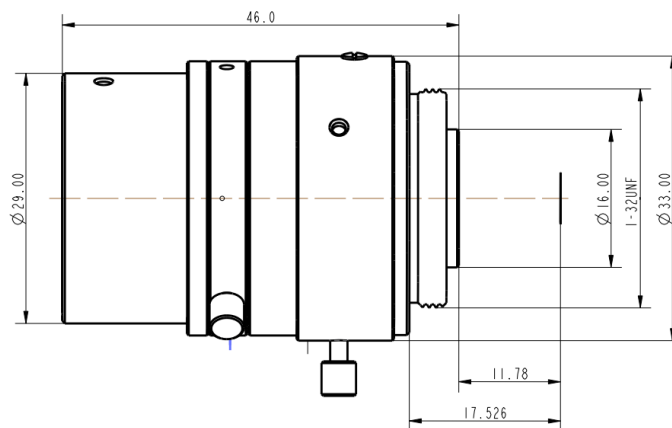


- F=12mm
- 2.4 $\mu$ m
- F2.8
- for 1/1.8 type Cameras, 6 Megapixel
- Ultra-low optical distortion
- Miniaturized structure

#### Specifications

Model	HN-P-1228-6M-C1/1.8
Sensor Size	1/1.8"
Pixel size ( $\mu$ m)	2.4
Focal Length (mm)	12 $\pm$ 5%
Total Track Length (mm)	55 $\pm$ 0.2
Flange distance (mm)	17.526 $\pm$ 0.2
F/No.	F2.8-F16
Angle of View (D $\times$ H $\times$ V)	41.85 $^{\circ}$ $\times$ 33.46 $^{\circ}$ $\times$ 22.88 $^{\circ}$
Optical Distortion(%)	$\pm$ 0.1
Basic Working Distance (mm)	300
Focus Range	0.1m- $\infty$
Filter Thread	M27 $\times$ 0.5
Mount	C-mount
Dimensions (mm)	$\Phi$ 33.0 $\times$ 40.25 (w/o thread)

#### Technical Drawing



China Daheng Group, Inc. Beijing Image Vision Technology Branch

12F Daheng Science & Technology Tower, No.3 Suzhou Street, Haidian District,

Beijing China, 100080

Tel: +86 10 82828878

E-mail: isales@daheng-imaging.com

Specifications are subject to change without prior notice.

Copyright © 2023 China Daheng Group, Inc. Beijing Image Vision Technology Branch. All rights reserved.

51032117

# HN-P-6M Series Lens

## HN-P-1628-6M-C1/1.8

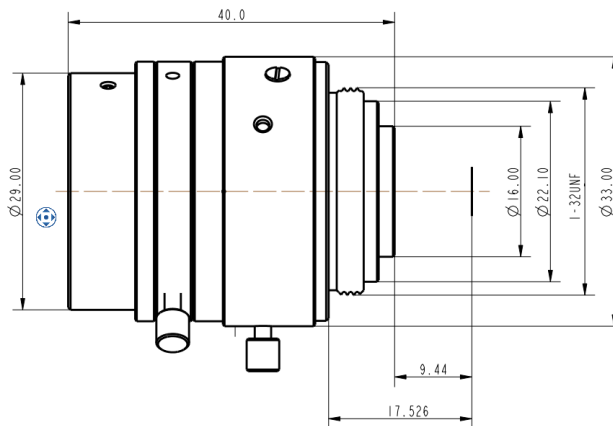


- F=16mm
- 2.4 $\mu$ m
- F2.8
- for 1/1.8 type Cameras, 6 Megapixel
- Ultra-low optical distortion
- Miniaturized structure

### Specifications

Model	HN-P-1628-6M-C1/1.8
Sensor Size	1/1.8"
Pixel size ( $\mu$ m)	2.4
Focal Length (mm)	16 $\pm$ 5%
Total Track Length (mm)	45 $\pm$ 0.2
Flange distance (mm)	17.526 $\pm$ 0.2
F/No.	F2.8-F16
Angle of View (D $\times$ H $\times$ V)	32.53 $^{\circ}$ $\times$ 25.81 $^{\circ}$ $\times$ 17.53 $^{\circ}$
Optical Distortion(%)	$\pm$ 0.1
Basic Working Distance (mm)	300
Focus Range	0.1m- $\infty$
Filter Thread	M27 $\times$ 0.5
Mount	C-mount
Dimensions (mm)	$\Phi$ 33.0 $\times$ 31.9 (w/o thread)

### Technical Drawing



China Daheng Group, Inc. Beijing Image Vision Technology Branch

12F Daheng Science & Technology Tower, No.3 Suzhou Street, Haidian District,

Beijing China, 100080

Tel: +86 10 82828878

E-mail: [isales@daheng-imaging.com](mailto:isales@daheng-imaging.com)

Specifications are subject to change without prior notice.

Copyright © 2023 China Daheng Group, Inc. Beijing Image Vision Technology Branch. All rights reserved.

P51032117

# HN-P-6M Series Lens

## HN-P-2528-6M-C1/1.8

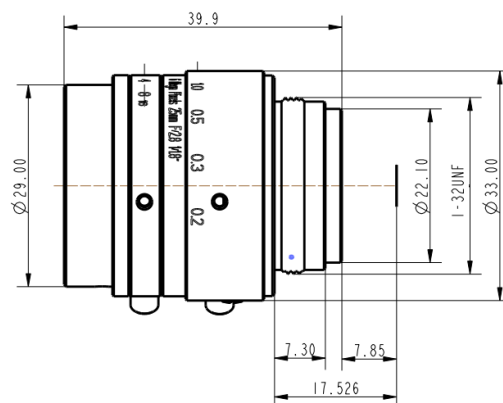


- F=25mm
- 2.4 $\mu$ m
- F2.8
- for 1/1.8 type Cameras, 6 Megapixel
- Ultra-low optical distortion
- Miniaturized structure

### Specifications

Model	HN-P-2528-6M-C1/1.8
Sensor Size	1/1.8"
Pixel size ( $\mu$ m)	2.4
Focal Length (mm)	25 $\pm$ 5%
Total Track Length (mm)	30.2 $\pm$ 0.2
Flange distance (mm)	17.526 $\pm$ 0.2
F/No.	F2.8-F16
Angle of View (D $\times$ H $\times$ V)	22.08 $^{\circ}$ $\times$ 18.45 $^{\circ}$ $\times$ 12.46 $^{\circ}$
Optical Distortion(%)	$\pm$ 0.5
Basic Working Distance (mm)	500
Focus Range	0.2m- $\infty$
Filter Thread	M27 $\times$ 0.5
Mount	C-mount
Dimensions (mm)	$\Phi$ 33.0 $\times$ 30.22 (w/o thread)

### Technical Drawing



China Daheng Group, Inc. Beijing Image Vision Technology Branch

12F Daheng Science & Technology Tower, No.3 Suzhou Street, Haidian District,  
Beijing China, 100080  
Tel: +86 10 82828878  
E-mail: isales@daheng-imaging.com

Specifications are subject to change without prior notice.

Copyright © 2023 China Daheng Group, Inc. Beijing Image Vision Technology Branch. All rights reserved.

51032117

## HN-P-6M Series Lens

### HN-P-3528-6M-C1/1.8

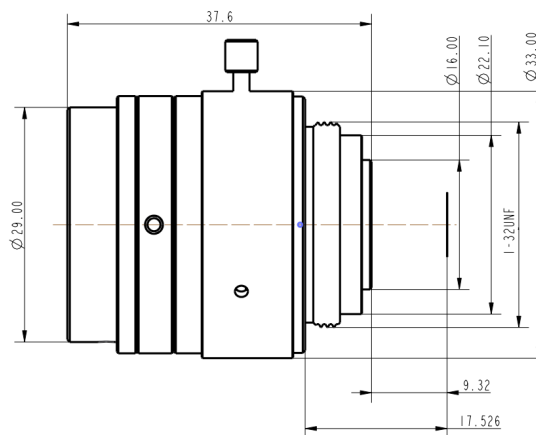


- F=35mm
- 2.4 $\mu$ m
- F2.8
- for 1/1.8 type Cameras, 6 Megapixel
- Ultra-low optical distortion
- Miniaturized structure

#### Specifications

Model	HN-P-3528-6M-C1/1.8
Sensor Size	1/1.8"
Pixel size ( $\mu$ m)	2.4
Focal Length (mm)	35 $\pm$ 5%
Total Track Length (mm)	41.07 $\pm$ 0.2
Flange distance (mm)	17.526 $\pm$ 0.2
F/No.	F2.8-F16
Angle of View (D $\times$ H $\times$ V)	14.8 $^{\circ}$ $\times$ 13.46 $^{\circ}$ $\times$ 9.0 $^{\circ}$
Optical Distortion(%)	$\pm$ 0.58
Basic Working Distance (mm)	500
Focus Range	0.2m- $\infty$
Filter Thread	/
Mount	C-mount
Dimensions (mm)	$\Phi$ 33.0 $\times$ 29.39 (w/o thread)

#### Technical Drawing



China Daheng Group, Inc. Beijing Image Vision Technology Branch

12F Daheng Science & Technology Tower, No.3 Suzhou Street, Haidian District,

Beijing China, 100080

Tel: +86 10 82828878

E-mail: isales@daheng-imaging.com

Specifications are subject to change without prior notice.

Copyright © 2023 China Daheng Group, Inc. Beijing Image Vision Technology Branch. All rights reserved.

51032117

## HN-P-6M Series Lens

### HN-P-5028-6M-C1/1.8

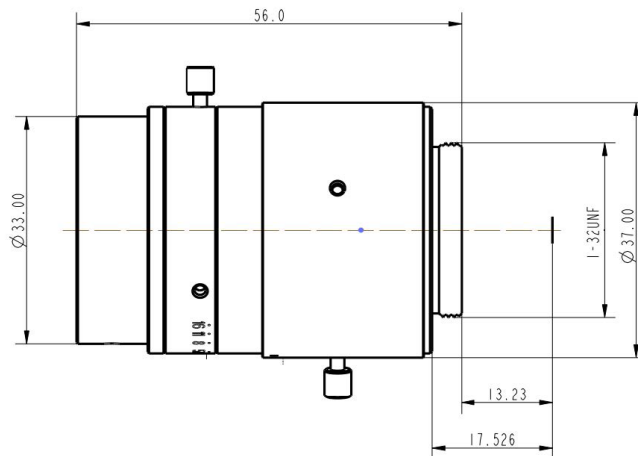


- F=50mm
- 2.4 $\mu$ m
- F2.8
- for 1/1.8 type Cameras, 6 Megapixel
- Ultra-low optical distortion
- Miniaturized structure

#### Specifications

Model	HN-P-5028-6M-C1/1.8
Sensor Size	1/1.8"
Pixel size ( $\mu$ m)	2.4
Focal Length (mm)	50 $\pm$ 5%
Total Track Length (mm)	65 $\pm$ 0.2
Flange distance (mm)	17.526 $\pm$ 0.2
F/No.	F2.8-F16
Angle of View (D $\times$ H $\times$ V)	9.72 $^{\circ}$ $\times$ 7.84 $^{\circ}$ $\times$ 5.24 $^{\circ}$
TV Distortion(%)	$\pm$ 0.3
Basic Working Distance (mm)	500
Focus Range	0.25m- $\infty$
Filter Thread	M30.5 $\times$ 0.5
Mount	C □
Dimensions (mm)	$\Phi$ 37.0 $\times$ 51.7(w/o thread)

#### Technical Drawing



China Daheng Group, Inc. Beijing Image Vision Technology Branch

12F Daheng Science & Technology Tower, No.3 Suzhou Street, Haidian District,  
Beijing China, 100080

Tel: +86 10 82828878

E-mail: isales@daheng-imaging.com

Specifications are subject to change without prior notice.

Copyright © 2023 China Daheng Group, Inc. Beijing Image Vision Technology Branch. All rights reserved.

51032117