

HN-P-25M Series Lens

HN-P-1224-25M-C1.2/1

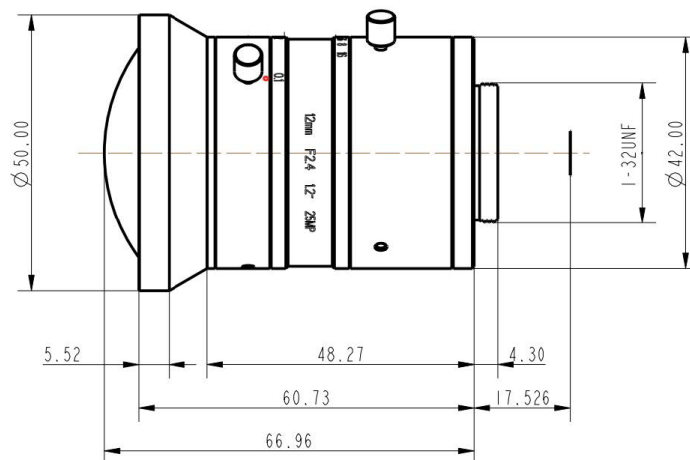


- F=12mm
- 2.74 μ m
- F2.4
- for 1.2 type Cameras, 25 Megapixel
- Ultra-low optical distortion
- Miniaturized structure

Specifications

Model	HN-P-1224-25M-C1.2/1	
Sensor Size	1.2"	
Pixel size (μ m)	2.74	
Focal Length (mm)	12 \pm 5%	
Total Track Length (mm)	85.02 \pm 0.2	
Flange distance (mm)	17.526 \pm 0.2	
F/No.	F2.4-F16	
Angle of View (D \times H \times V)	76.12 $^{\circ}$ \times 62.33 $^{\circ}$ \times 55.33 $^{\circ}$	
Distortion (%)	Optical Distortion	-0.28
	TV Distortion	0.39
Basic Working Distance (mm)	300	
Focus Range	0.1m- ∞	
Mount	C-mount	
Dimensions (mm)	Φ 50.00 \times 66.96 (w/o thread)	

Technical Drawing



China Daheng Group, Inc. Beijing Image Vision Technology Branch

12F Daheng Science & Technology Tower, No.3 Suzhou Street, Haidian District,
Beijing China, 100080
Tel: +86 10 82828878
E-mail: isales@daheng-imaging.com

Specifications are subject to change without prior notice.

Copyright © 2021 China Daheng Group, Inc. Beijing Image Vision Technology Branch. All rights reserved.

June 18, 2021

HN-P-25M Series Lens

HN-P-1624-25M-C1.2/1

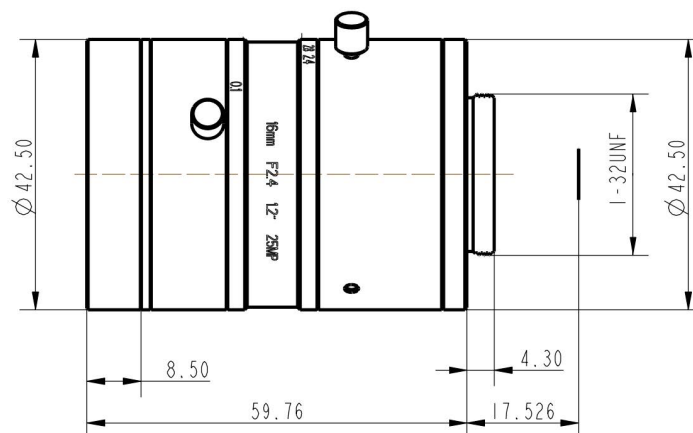


- F=16mm
- 2.74 μ m
- F2.4
- for 1.2 type Cameras, 25 Megapixel
- Ultra-low optical distortion
- Miniaturized structure

Specifications

Model	HN-P-1624-25M-C1.2/1	
Sensor Size	1.2"	
Pixel size (μ m)	2.74	
Focal Length (mm)	15.96 \pm 5%	
Total Track Length (mm)	75 \pm 0.2	
Flange distance (mm)	17.526 \pm 0.2	
F/No.	F2.4-F16	
Angle of View (D \times H \times V)	61.36 $^\circ$ \times 48.83 $^\circ$ \times 42.86 $^\circ$	
Distortion (%)	Optical Distortion	-0.53
	TV Distortion	0.07
Basic Working Distance (mm)	300	
Focus Range	0.1m- ∞	
Filter Thread	M40.5 \times 0.5-7H	
Mount	C-mount	
Dimensions (mm)	Φ 42.50 \times 59.76 (w/o thread)	

Technical Drawing



China Daheng Group, Inc. Beijing Image Vision Technology Branch

12F Daheng Science & Technology Tower, No.3 Suzhou Street, Haidian District,

Beijing China, 100080

Tel: +86 10 82828878

E-mail: isales@daheng-imaging.com

Specifications are subject to change without prior notice.

Copyright © 2021 China Daheng Group, Inc. Beijing Image Vision Technology Branch. All rights reserved.

June 18, 2021

HN-P-25M Series Lens

HN-P-2524-25M-C1.2/1

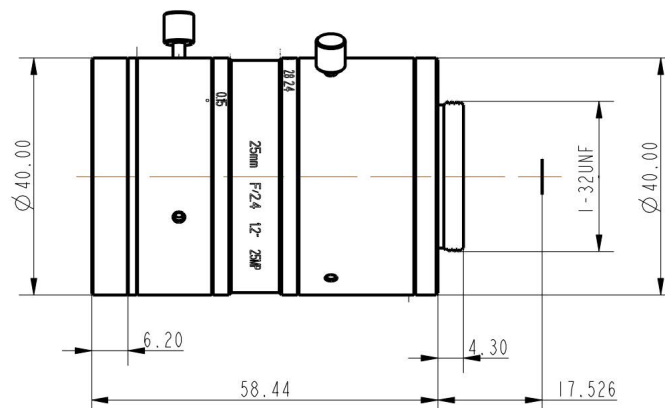


- F=25mm
- 2.74 μ m
- F2.4
- for 1.2 type Cameras, 25 Megapixel
- Ultra-low optical distortion
- Miniaturized structure

Specifications

Model	HN-P-2524-25M-C1.2/1	
Sensor Size	1.2"	
Pixel size (μ m)	2.74	
Focal Length (mm)	25.25 \pm 5%	
Total Track Length (mm)	70 \pm 0.2	
Flange distance (mm)	17.526 \pm 0.2	
F/No.	F2.4-F16	
Angle of View (D \times H \times V)	41.19 $^\circ$ \times 31.42 $^\circ$ \times 27.32 $^\circ$	
Distortion (%)	Optical Distortion	-0.32
	TV Distortion	-0.04
Basic Working Distance (mm)	300	
Focus Range	0.15m- ∞	
Filter Thread	M37 \times P0.5-7H	
Mount	C-mount	
Dimensions (mm)	Φ 40.00 \times 58.44 (w/o thread)	

Technical Drawing



China Daheng Group, Inc. Beijing Image Vision Technology Branch

12F Daheng Science & Technology Tower, No.3 Suzhou Street, Haidian District,
 Beijing China, 100080

Tel: +86 10 82828878

E-mail: isales@daheng-imaging.com

Specifications are subject to change without prior notice.

Copyright © 2021 China Daheng Group, Inc. Beijing Image Vision Technology Branch. All rights reserved.

June 18, 2021

HN-P-25M Series Lens

HN-P-3524-25M-C1.2/1

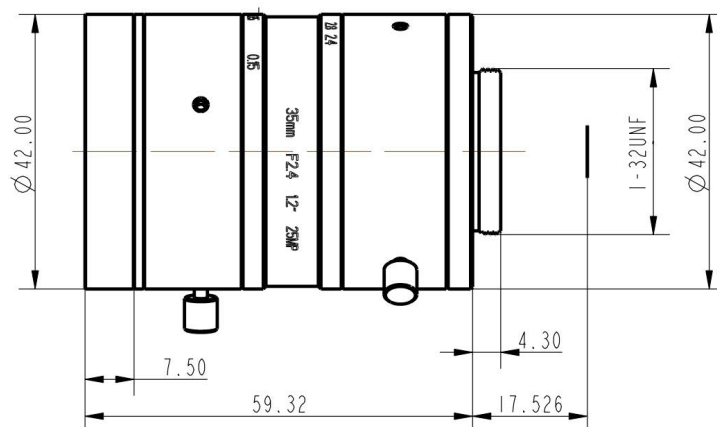


- F=35mm
- 2.74μm
- F2.4
- for 1.2 type Cameras, 25 Megapixel
- Ultra-low optical distortion
- Miniaturized structure

Specifications

Model	HN-P-3524-25M-C1.2/1	
Sensor Size	1.2"	
Pixel size (μm)	2.74	
Focal Length (mm)	35.19±5%	
Total Track Length (mm)	68.08±0.2	
Flange distance (mm)	17.526±0.2	
F/No.	F2.4-F16	
Angle of View (D×H×V)	29.33° × 22.51° × 19.53°	
Distortion (%)	Optical Distortion	0.06
	TV Distortion	0.015
Basic Working Distance (mm)	400	
Focus Range	0.15m- ∞	
Filter Thread	M42.5×P0.5-7H	
Mount	C-mount	
Dimensions (mm)	Φ42.0 × 59.32 (w/o thread)	

Technical Drawing



China Daheng Group, Inc. Beijing Image Vision Technology Branch

12F Daheng Science & Technology Tower, No.3 Suzhou Street, Haidian District,

Beijing China, 100080

Tel: +86 10 82828878

E-mail: isales@daheng-imaging.com

Specifications are subject to change without prior notice.

Copyright © 2021 China Daheng Group, Inc. Beijing Image Vision Technology Branch. All rights reserved.

June 18, 2021

HN-P-25M Series Lens

HN-P-5024-25M-C1.2/1

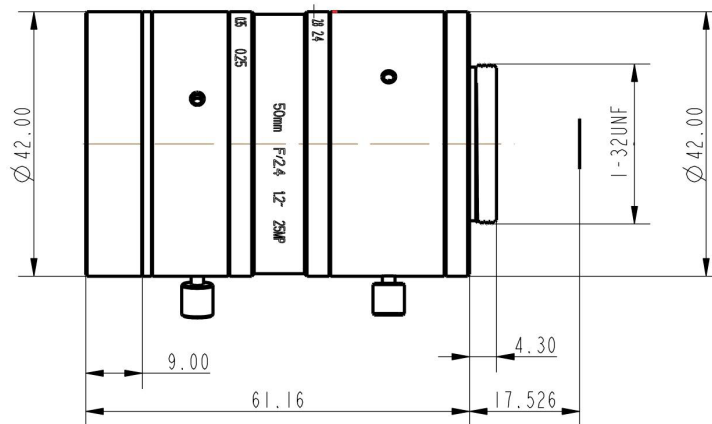


- F=50mm
- 2.74 μ m
- F2.4
- for 1.2 type Cameras, 25 Megapixel
- Ultra-low optical distortion
- Miniaturized structure

Specifications

Model	HN-P-5024-25M-C1.2/1	
Sensor Size	1.2"	
Pixel size (μ m)	2.74	
Focal Length (mm)	49.5 \pm 5%	
Total Track Length (mm)	76 \pm 0.2	
Flange distance (mm)	17.526 \pm 0.2	
F/No.	F2.4-F16	
Angle of View (D \times H \times V)	20.50 $^\circ$ \times 15.66 $^\circ$ \times 13.57 $^\circ$	
Distortion (%)	Optical Distortion	0.055
	TV Distortion	0.011
Basic Working Distance (mm)	500	
Focus Range	0.25m- ∞	
Filter Thread	M42.5 \times P0.5-7H	
Mount	C-mount	
Dimensions (mm)	Φ 42.00 \times 61.16 (w/o thread)	

Technical Drawing



China Daheng Group, Inc. Beijing Image Vision Technology Branch

12F Daheng Science & Technology Tower, No.3 Suzhou Street, Haidian District,
Beijing China, 100080
Tel: +86 10 82828878
E-mail: isales@daheng-imaging.com

Specifications are subject to change without prior notice.

Copyright © 2021 China Daheng Group, Inc. Beijing Image Vision Technology Branch. All rights reserved.

June 18, 2021