

TUSS 1inch lenses



8mm



12.5mm



16mm



25mm



50mm



Line-up
8mm – 50mm



Resolution
2-4mp



Image size
1", 1/1.2"



Vibration
spec.



Japan made



Motor-drive

option



Temperature
spec.

option

TUSS 1inch lenses



Line-up
8mm – 50mm

The line-ups are prepared wide 8mm
To telephoto 50mm. F No. is all F1.4.



Vibration
spec.

As the dimensional tolerance of glasses and
mechanical parts are limited strictly, the
backlash is prevented.



option Fixed Iris Unit

Fixed Iris unit can prevent the change of
aperture by vibration



Resolution
2-4mp

According with balance of cost and
quality, they are realized 2-4mp.



Image size
1", 1/1.2"

TUSS 1inch lenses are suitable for
1" or 1/1.2". Also 2/3", 1/1.8" and
1/3".



Locking screw for Focus
and iris have each 3
positions. These locking
from 3 directions
prevent to loose focus
and iris position.



Japan made

Glass element: Japan
Glass processing: Japan
Mechanical parts: Japan
Assemble: Japan
Inspection: Japan



Temperature spec.

Generally the operation temperature is -10°C to $+50^{\circ}\text{C}$.



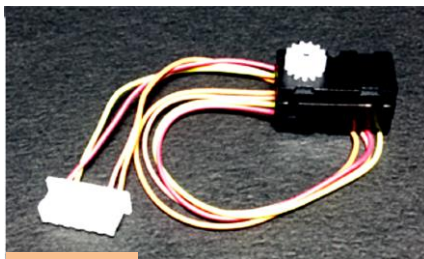
option

Fluororesin



Motor-drive

In case of adjustment focus of the lens by remote-control, the motor-drive type is useful. We are using Japanese stepping motor.



option

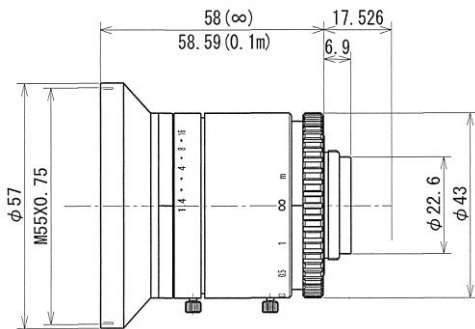
Stepping motor

The special “fluororesin” realize work under -70°C to $+150^{\circ}\text{C}$.
By using this, the operation temperature is increasing to -30°C to $+70^{\circ}\text{C}$.

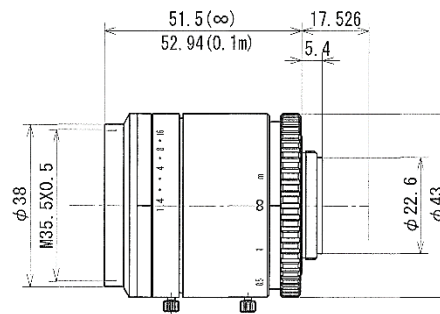
TUSS 1inch lenses



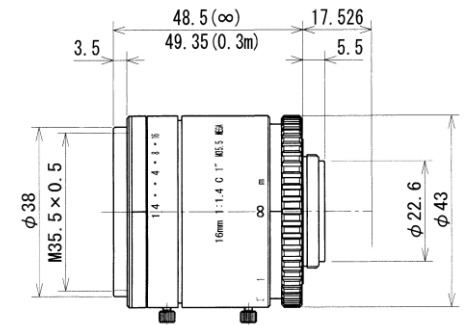
Model	Image size	Focal length	F NO.	Resolution	TV Dist.	Mount	Angle of view	M.O.D.	Back focus	Filter size	Dimensions	Weight
LYM0814	1inch	8mm	F1.4	2mp	-1.02%	C-mount	79.66° x62.92°	0.1m	11.65mm	M55 p=0.75	D57x58.59mm	214g
LYM1214	1inch	12.5mm	F1.4	2mp	-1.48%	C-mount	56.45° x42.45°	0.1m	12.55mm	M35.5 p=0.5	D43x52.94mm	172g
LYM1614	1inch	16mm	F1.4	4mp	-1.02%	C-mount	44.25° x33.56°	0.3m	12.14mm	M35.5 p=0.5	D43x49.35mm	170g
LYM2514	1inch	25mm	F1.4	4mp	-0.99%	C-mount	29.29° x21.98°	0.3m	15.71mm	M35.5 p=0.5	D43x45.04mm	160g
LYM5014	1inch	50mm	F1.4	4mp	+0.20%	C-mount	14.50° x10.92°	0.5m	14.55mm	M35.5 p=0.5	D47.5x53.11mm	190g



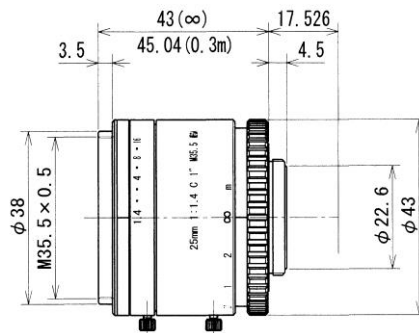
LYM0814



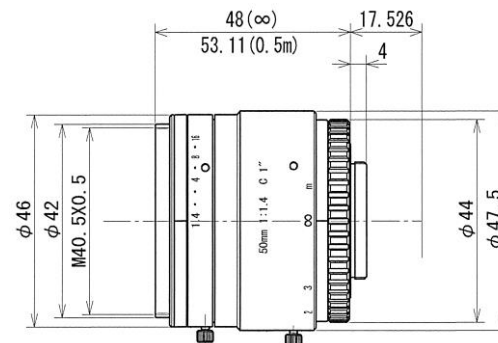
LYM1214



LYM1614



LYM2514



LYM5014