

❖ **SP-20000-USB**
20-megapixel CMOS global shutter

USBTM
VISION



- *Large format 20 MP CMOS imager (global shutter)*
- *16 fps at full resolution*
- *6.4 μm square pixels*
- *User selectable ROI*
- *Horizontal and vertical binning (monochrome models) for increased sensitivity*
- *Flat-field and blemish compensation plus in-camera CMOS pattern correction*
- *CMOS imager includes correlated double sampling (CDS) function for improved uniformity*
- *8/10-bit digital output over USB3 Vision interface*
- *Monochrome or Bayer color models*
- *F-mount lens mount*
- *Automatic Level Control (ALC) for dynamic lighting conditions*
- *Built-in high dynamic range (HDR) mode*

Specifications for SP-20000-USB

Spark Series

Specifications		SP-20000-USB
Sensor		41 mm CMOS global shutter (CMV20000)
Pixel clock		40 MHz
Frame rate, full frame		16 frames/sec.
Active area		32.77 mm (h) x 24.58 mm (v), 41 mm diagonal
Cell size		6.4 μm (h) x 6.4 μm (v)
Active pixels		5120 (h) x 3840 (v)
Horizontal output frequency		62.402 kHz (31.201 kHz for V-binning)
Read-out modes	Full ROI	5120 (h) x 3840 (v) @ 16 fps Any start position. 8-5120 pixels wide x 2-3840 lines high Width in 8 pixels/step Height in 2 lines/step
	Binning (mono)	1x2, 2x1, 2x2 (frame rate does not change)
EMVA 1288 Parameters		10-bit output format
Absolute sensitivity (mono)		16.05 p (λ = 525 nm)
Absolute sensitivity (color)		18.14 p (λ = 525 nm)
Maximum SNR (mono)		40.24 dB
Maximum SNR (color)		38.32 dB
Traditional SNR*	mono	>53 dB (0 dB gain)
	color	>51 dB (0 dB gain, green)
Video signal output	mono	8/10-bit monochrome
	color	8/10-bit Bayer
Auto-iris lens video output		0.7Vp-p, with 0.3V horiz. sync
Gain		Manual/automatic 0 dB to +24 dB
White balance (SP-20000C)		Manual, one-push auto, or continuous (3000K to 9000K)
Gamma		0.45-1.0 (8 steps) or 256-point LUT
Synchronization		Internal
Trigger input		TTL, LVDS, Opto In, Pulse Generators (2), Software, User Out (4)
Trigger modes		EPS, Trigger Width, Timed RCT (with ALC), PIV, Sequence
Electronic shutter	Timed exposure	304 μs to 8 sec in 1 μs steps
	Auto shutter	1/16 to 1/3289 sec.
Auto Level Control (ALC)		Shutter range from 1/16 to 1/3289, gain range from 0 dB to +24 dB. Tracking speeds and max values adjustable.
Pre-processing functions		Flat field correction, color shading correction (SP-20000C), blemish compensation (up to 1000 pixels)
Operating temperature		-45°C to +70°C†
Storage temperature		-45°C to +70°C
Humidity		20 – 80% non-condensing
Vibration		10 G (20Hz to 200Hz XYZ)
Shock		80 G
Regulations		CE (EN61000-6-2, EN61000-6-3), FCC Part 15 class B, RoHS/WEEE
Power		12V to 24V DC ± 10%. 5.4W typical (full frame @ 12V)
Lens mount		F-mount
Dimensions (H x W x L)		62 mm x 62 mm x 84.5 mm
Weight		350 g

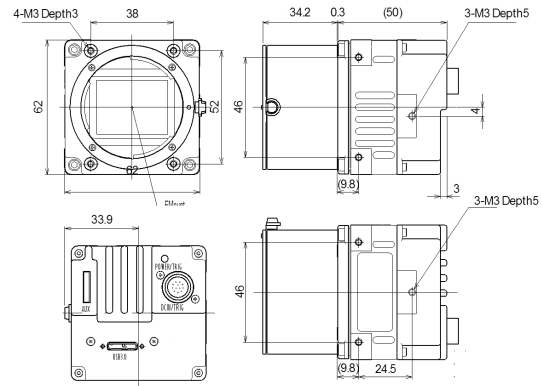
Ordering Information

SP-20000M-USB	Monochrome camera with USB3 Vision
SP-20000C-USB	Color camera with USB3 Vision

*Traditional SNR is based on random noise in a single frame, where EMVA SNR measurements consider more comprehensive noise sources and variance over time. For a more complete description, see the manual.

†Reduced performance may occur when operating outside the standard range of -5°C to +45°C

Dimensions



Connector pin-out

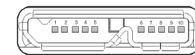
DC In / Trigger



HIROSE HR10A-10R-12PB-01

Pin	Signal
1	GND
2	+12V to +24V DC input
3	GND
4	NC
5	Opto In-
6	Opto In+
7	Opto Out-
8	Opto Out+
9	TTL out 1
10	TTL in 1
11	+12V to +24V DC input
12	GND

USB 3.0 Interface



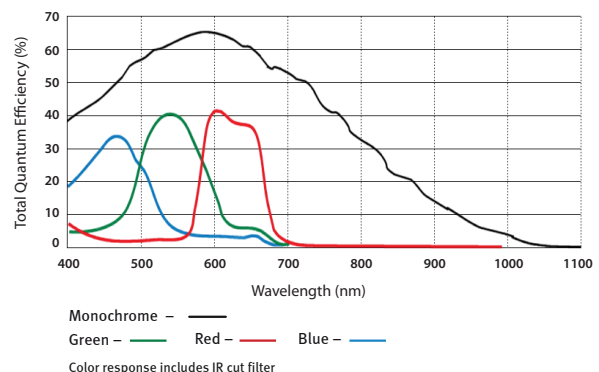
Micro B type - ZX3600-B-10P or equiv.

No	I/O	Name	Note
1	I	VBUS IN	Power (VBUS) ¹
2	I/O	DM	USB2.0 Differential pair (-) ²
3	I/O	DP	USB2.0 Differential pair (+)
4		OTG ID	USB OTG ID for identifying lines
5		GND	GND
6	O	FX3 SSTXM	USB3.0 Signal Transmission line (-)
7	O	FX3 SSTXP	USB3.0 Signal Transmission line (+)
8		GND	GND
9	I	FX3 SSRXP	USB3.0 Signal Receiving line (-)
10	I	FX3 SSRXM	USB3.0 Signal Receiving line (+)

¹ SP-20000-USB does not accept power over USB

² Does not work with USB 2.0

Spectral Response



Company and product names mentioned in this datasheet are trademarks or registered trademarks of their respective owners. JAI AS cannot be held responsible for any technical or typographical errors and reserves the right to make changes to products and documentation without prior notification.

Europe, Middle East & Africa
Phone +45 4457 8888
Fax +45 4491 3252

Asia Pacific
Phone +81 45 440 0154
Fax +81 45 440 0166

Americas
Phone (Toll-Free) 1 800 445 5444
Phone +1 408 383 0300

Visit our web site on www.jai.com

PRELIMINARY

See the possibilities

