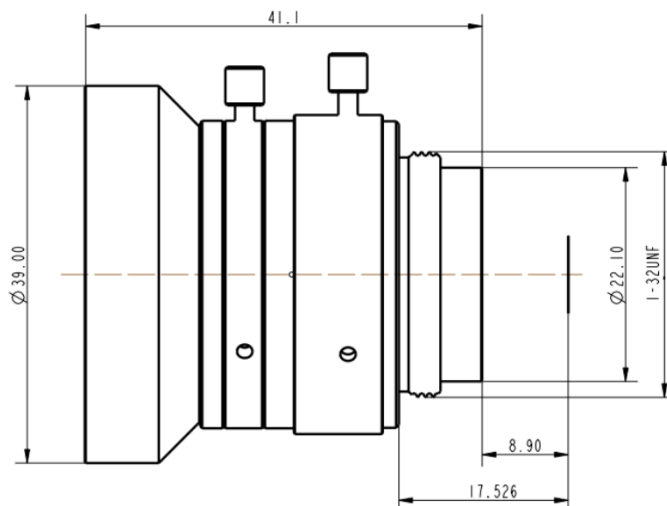


## HN-P-0628-6M-C1/1.8



### Outline Drawing



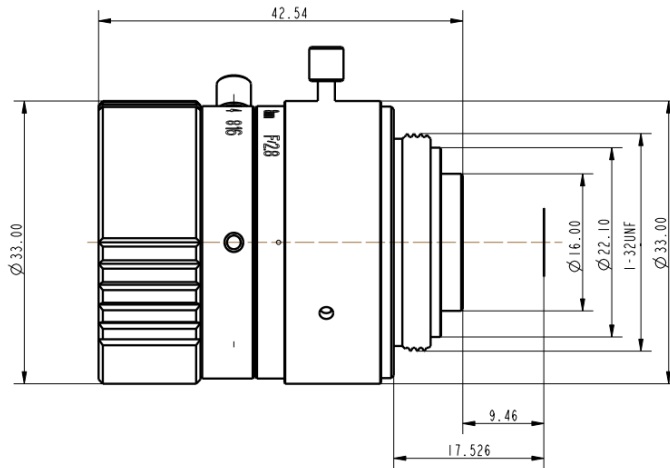
### Specifications

<b>Model</b>	<b>HN-P-0628-6M-C1/1.8</b>
<b>Sensor Size</b>	1/1.8"
<b>Pixel size (μm)</b>	2.4
<b>Focal Length (mm)</b>	6±5%
<b>Total Track Length (mm)</b>	49.5±0.2
<b>Flange distance (mm)</b>	17.526±0.2
<b>F/No.</b>	F2.8-F16
<b>Angle of View (H×V)</b>	62.5° × 44.47° ( 74.96° )
<b>TV Distortion (%)</b>	±0.81
<b>Focus Range</b>	0.1m-∞
<b>Filter Thread</b>	M37.5×P0.5-7H
<b>Mount</b>	C-mount
<b>Dimensions (mm)</b>	Φ39.0 × 32.5 (w/o thread)

## HN-P-0828-6M-C2/3



### Outline Drawing



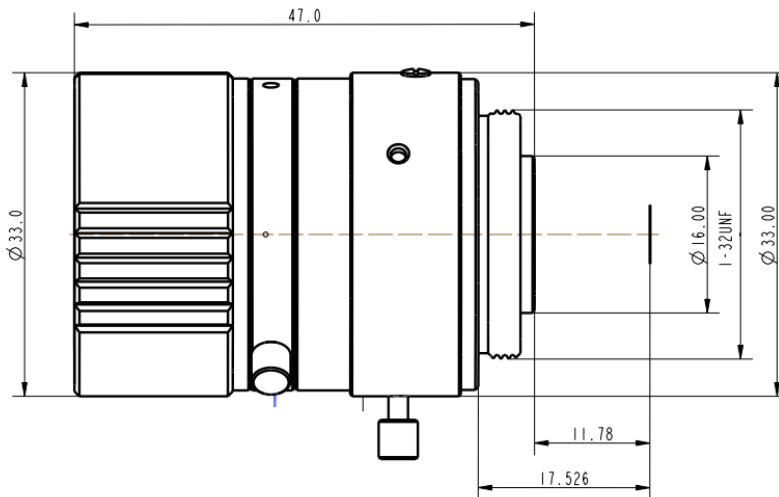
### Specifications

<b>Model</b>	<b>HN-P-0828-6M-C2/3</b>	
<b>Sensor Size</b>	2/3"	
<b>Pixel Size (μm)</b>	2.4	
<b>Focal Length (mm)</b>	8±5%	
<b>Total Track Length (mm)</b>	52±0.2	
<b>Flange distance (mm)</b>	17.526±0.2	
<b>F/No.</b>	F2.8-F16	
<b>Angle of View (H×V)</b>	56.02° × 43.72° ( 66.60° )	
<b>Distortion (%)</b>	<b>Optical Distortion</b>	±2
	<b>TV Distortion</b>	0.89
<b>Focus Range</b>	0.1m-∞	
<b>Filter Thread</b>	M30.5×P0.5-7H	
<b>Mount</b>	C-mount	
<b>Dimensions (mm)</b>	Φ33.0 × 34.5 (w/o thread)	

## HN-P-1228-6M-C2/3



### Outline Drawing



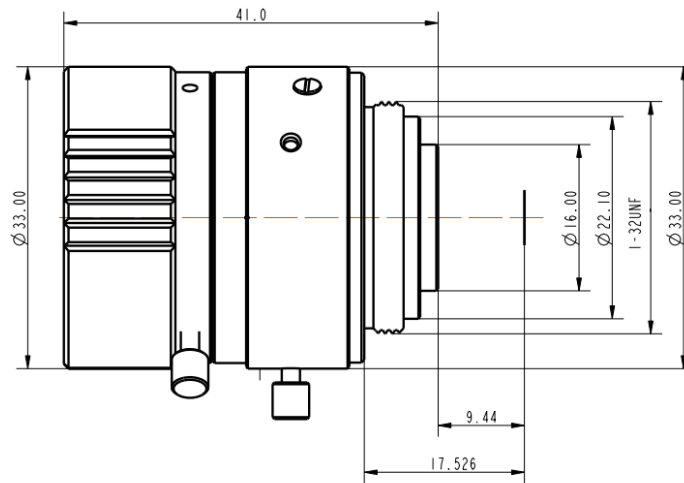
### Specifications

<b>Model</b>	<b>HN-P-1228-6M-C2/3</b>	
<b>Sensor Size</b>	2/3"	
<b>Pixel Size (μm)</b>	2.4	
<b>Focal Length (mm)</b>	12±5%	
<b>Total Track Length (mm)</b>	55±0.2	
<b>Flange distance (mm)</b>	17.526±0.2	
<b>F/No.</b>	F2.8-F16	
<b>Angle of View (H×V)</b>	39.00° × 29.92° ( 47.50° )	
<b>Distortion (%)</b>	<b>Optical Distortion</b>	±1.2
	<b>TV Distortion</b>	0.51
<b>Focus Range</b>	0.1m-∞	
<b>Filter Thread</b>	M27×P0.5-7H	
<b>Mount</b>	C-mount	
<b>Dimensions (mm)</b>	Φ33.0 × 41.2 (w/o thread)	

## HN-P-1628-6M-C2/3



### Outline Drawing



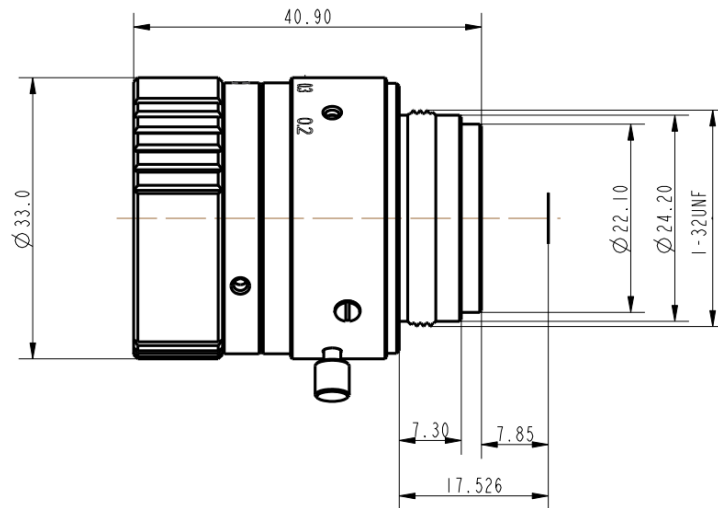
### Specifications

<b>Model</b>	<b>HN-P-1628-6M-C2/3</b>	
<b>Sensor Size</b>	2/3"	
<b>Pixel Size (μm)</b>	2.4	
<b>Focal Length (mm)</b>	16±5%	
<b>Total Track Length (mm)</b>	45±0.2	
<b>Flange distance (mm)</b>	17.526±0.2	
<b>F/No.</b>	F2.8-F16	
<b>Angle of View (H×V)</b>	30.32° × 23.00° ( 37.20° )	
<b>Distortion (%)</b>	<b>Optical Distortion</b>	±1
	<b>TV Distortion</b>	0.34
<b>Focus Range</b>	0.1m-∞	
<b>Filter Thread</b>	M27×P0.5-7H	
<b>Mount</b>	C-mount	
<b>Dimensions (mm)</b>	Φ33.0 × 33.2 (w/o thread)	

## HN-P-2528-6M-C2/3



### Outline Drawing



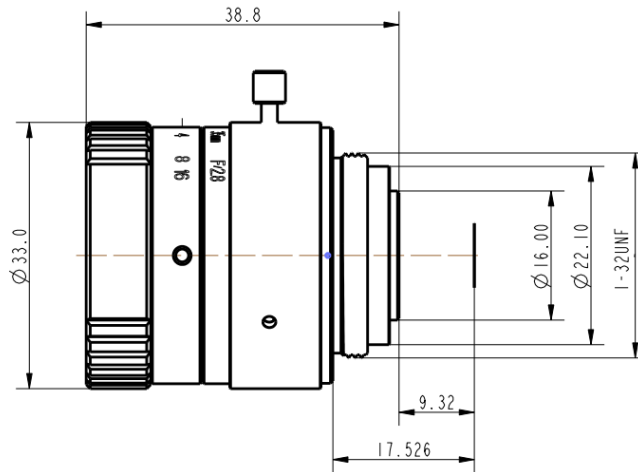
### Specifications

<b>Model</b>	<b>HN-P-2528-6M-C2/3</b>	
<b>Sensor Size</b>	2/3"	
<b>Pixel Size (μm)</b>	2.4	
<b>Focal Length (mm)</b>	25±5%	
<b>Total Track Length (mm)</b>	30.2±0.2	
<b>Flange distance (mm)</b>	17.526±0.2	
<b>F/No.</b>	F2.8-F16	
<b>Angle of View (H×V)</b>	20.40° × 15.50° ( 25.44° )	
<b>Distortion (%)</b>	<b>Optical Distortion</b>	±0.4
	<b>TV Distortion</b>	0.2
<b>Focus Range</b>	0.2m-∞	
<b>Filter Thread</b>	M27×P0.5-7H	
<b>Mount</b>	C-mount	
<b>Dimensions (mm)</b>	Φ33.0 × 31.2 (w/o thread)	

## HN-P-3528-6M-C2/3



### Outline Drawing



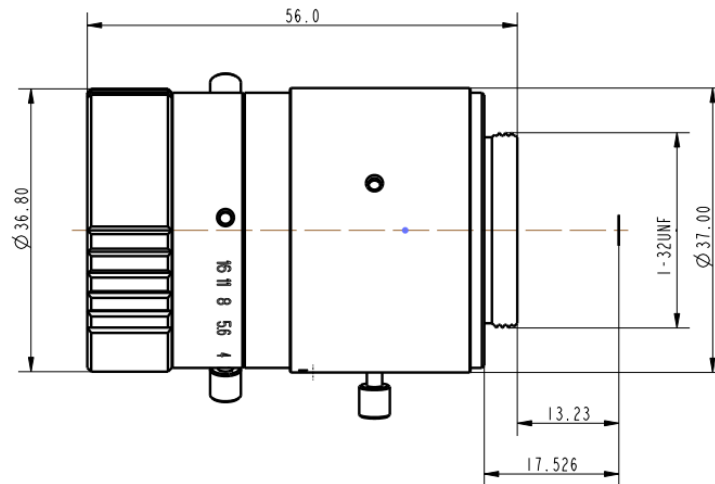
### Specifications

<b>Model</b>	<b>HN-P-3528-6M-C2/3</b>	
<b>Sensor Size</b>	2/3"	
<b>Pixel Size (μm)</b>	2.4	
<b>Focal Length (mm)</b>	35±5%	
<b>Total Track Length (mm)</b>	41.07±0.2	
<b>Flange distance (mm)</b>	17.526±0.2	
<b>F/No.</b>	F2.8-F16	
<b>Angle of View (H×V)</b>	14.70° × 11.06° ( 18.24° )	
<b>Distortion (%)</b>	<b>Optical Distortion</b>	±1
	<b>TV Distortion</b>	0.25
<b>Focus Range</b>	0.2m-∞	
<b>Filter Thread</b>	/	
<b>Mount</b>	C-mount	
<b>Dimensions (mm)</b>	Φ33.0 × 30.6 (w/o thread)	

## HN-P-5028-6M-C2/3



### Outline Drawing



### Specifications

<b>Model</b>	<b>HN-P-5028-6M-C2/3</b>	
<b>Sensor Size</b>	2/3"	
<b>Pixel Size (μm)</b>	2.4	
<b>Focal Length (mm)</b>	50±5%	
<b>Total Track Length (mm)</b>	65±0.2	
<b>Flange distance (mm)</b>	17.526±0.2	
<b>F/No.</b>	F2.8-F16	
<b>Angle of View (H×V)</b>	9.60° × 7.24° ( 12.00° )	
<b>Distortion (%)</b>	<b>Optical Distortion</b>	±0.4
	<b>TV Distortion</b>	0.13
<b>Focus Range</b>	0.25m-∞	
<b>Filter Thread</b>	/	
<b>Mount</b>	C-mount	
<b>Dimensions (mm)</b>	Φ36.8 ×51.7 (w/o thread)	