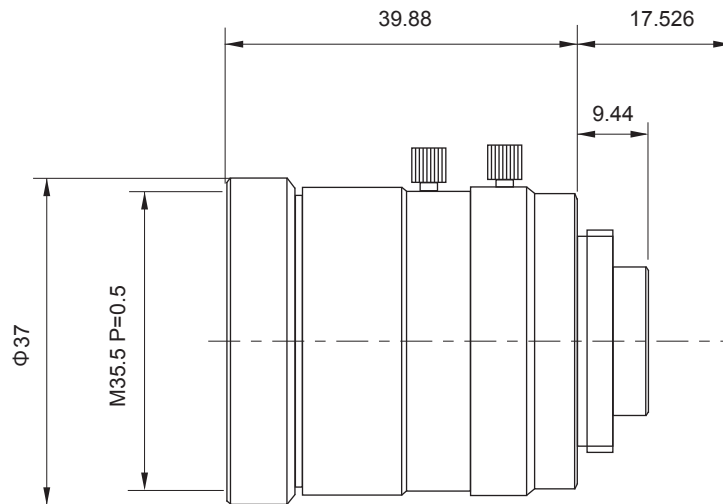


T5-0814

2/3" 8mm F1.4 5MP

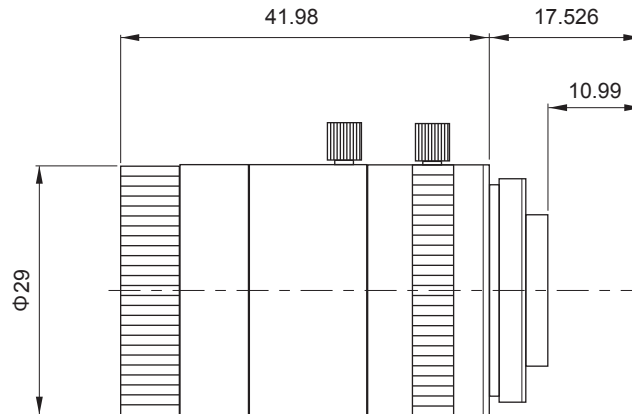


Unit: mm

Image Format	2/3 inch (8.8 x 6.6mm, Φ 11mm)	
Focal Length	8mm	
Relative Aperture	F=1:1.4	
Iris Range	F1.4 to 16	
Angular Field of View	Horizontal	55.2° (2/3inch)
	Vertical	42.9° (2/3inch)
Resolution	5MP	
TV Distortion	-0.17% (2/3inch)	
M.O.D.(Minimum Object Distance)	0.1m	
Back Focal Length	12.6mm	
Flange Back Length	17.526mm	
Operation	Focus	Manual with lock screw
	Iris	Manual with lock screw
Lens Mount	C-mount	
Filter Screw	M35.5 P=0.5	
Dimensions	Φ 37 x 39.88 mm	
Weight	200g	
Operating Temperature	-20 to +60°C	

T5-1218

2/3"
12mm
F1.8
5MP

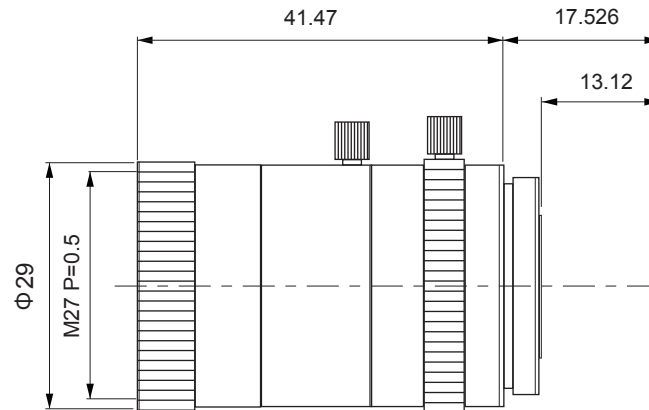


Unit: mm

Image Format	2/3 inch (8.8 x 6.6mm, $\Phi 11$ mm)	
Focal Length	12mm	
Relative Aperture	F=1:1.8	
Iris Range	F1.8 to 16	
Angular Field of View	Horizontal	39.0° (2/3inch)
	Vertical	29.8° (2/3inch)
Resolution	5MP	
TV Distortion	-0.1% (2/3inch)	
M.O.D.(Minimum Object Distance)	0.1m	
Back Focal Length	11.72mm	
Flange Back Length	17.526mm	
Operation	Focus	Manual with lock screw
	Iris	Manual with lock screw
Lens Mount	C-mount	
Filter Screw	M27 P=0.5	
Dimensions	$\Phi 29$ x 41.98 mm	
Weight	75g	
Operating Temperature	-20 to +60°C	
Coating	BBAR Coating (13 multi layer)	

T5-1618

2/3"
16mm
F1.8
5MP



Unit: mm

Image Format	2/3 inch (8.8 x 6.6mm, $\Phi 11$ mm)	
Focal Length	16mm	
Relative Aperture	F=1:1.8	
Iris Range	F1.8 to 16	
Angular Field of View	Horizontal	29.8° (2/3inch)
	Vertical	22.5° (2/3inch)
Resolution	5MP	
TV Distortion	-0.12% (2/3inch)	
M.O.D.(Minimum Object Distance)	0.1m	
Back Focal Length	13.5mm	
Flange Back Length	17.526mm	
Operation	Focus	Manual with lock screw
	Iris	Manual with lock screw
Lens Mount	C-mount	
Filter Screw	M27 P=0.5	
Dimensions	$\Phi 29$ x 41.47 mm	
Weight	75g	
Operating Temperature	-20 to +60°C	

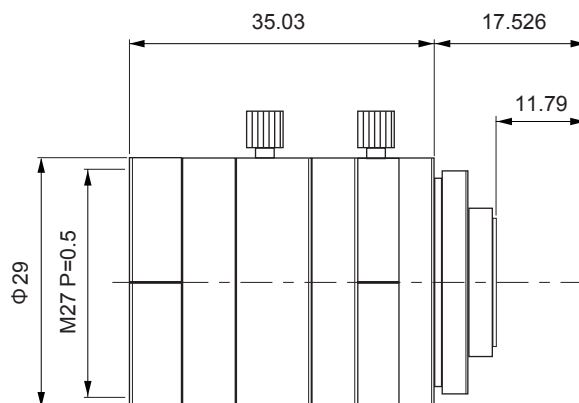
T5-2518

2/3"

25mm

F1.8

5MP

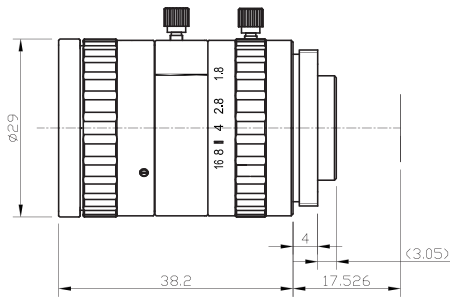


Unit: mm

Image Format	2/3 inch (8.8 x 6.6mm, Φ 11mm)	
Focal Length	25mm	
Relative Aperture	F=1:1.8	
Iris Range	F1.8 to 16	
Angular Field of View	Horizontal	18.8° (2/3inch)
	Vertical	14.2° (2/3inch)
Resolution	5MP	
TV Distortion	-0.03% (2/3inch)	
M.O.D.(Minimum Object Distance)	0.15m * With using extension ring 1.5mm, the W.D. is 0.1m	
Back Focal Length	12.7mm	
Flange Back Length	17.526mm	
Operation	Focus	Manual with lock screw
	Iris	Manual with lock screw
Lens Mount	C-mount	
Filter Screw	M27 P=0.5	
Dimensions	Φ 29 x 35.03 mm	
Weight	62g	
Operating Temperature	-20 to +60°C	
Coating	BBAR Coating (13 multi layer)	

T5-3518

2/3" 35mm F1.8 5MP



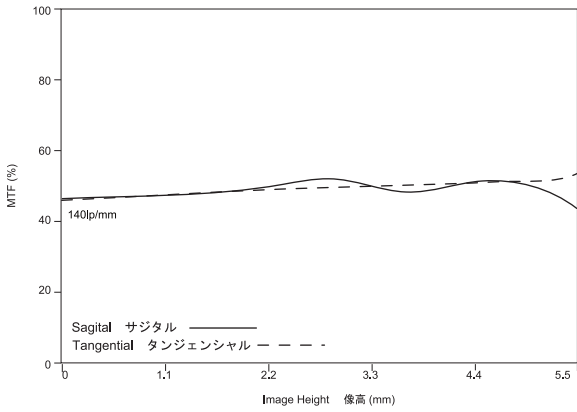
Unit: mm



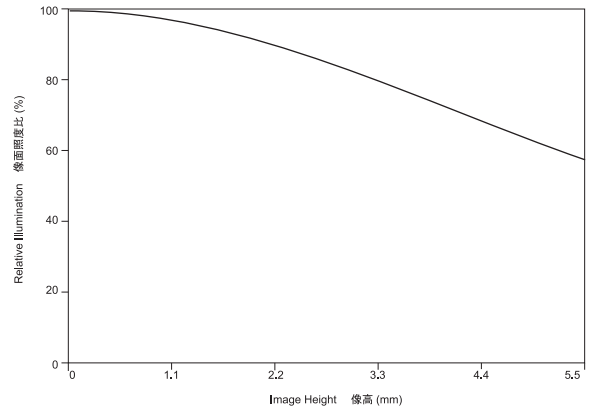
Image Format	イメージサイズ	2/3 inch (8.8 x 6.6mm, Φ 11mm)
Focal Length	焦点距離	35mm
Relative Aperture	最大口径比	F=1:1.8
Iris Range	アイリス範囲	F1.8 to 16
Angular Field of View	画角	Horizontal 水平 12.8° (2/3inch)
		Vertical 垂直 9.6° (2/3inch)
Resolution	解像力	5MP
TV Distortion	TV 歪曲	-0.03% (2/3inch)
Minimum Object Distance	最近撮影距離	0.25m * With using extension ring 10mm, the W.D. is 0.1m 接写リング 10mm 使用時、最近撮影距離 0.1m
Back Focal Length	バックフォーカス	11.73mm
Flange Back Length	フランジバック	17.526mm
Operation	操作方式	Focus フォーカス Manual with lock screw 手動 ロックビス付
		Iris アイリス Manual with lock screw 手動 ロックビス付
Lens Mount	レンズマウント	C-mount Cマウント
Filter Screw	フィルターネジ径	M27 P=0.5
Dimensions	大きさ	Φ 29 x 38.2 mm
Weight	質量	72g
Operating Temperature	作動温度範囲	-20 to +60°C
Coating	コーティング	BBAR Coating (13 multi layer) 13層マルチコート

Performance Chart

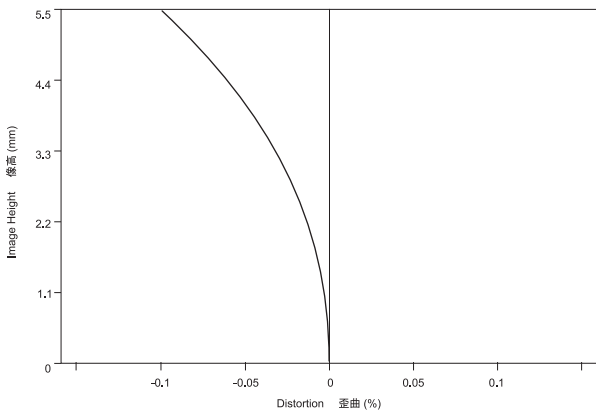
MTF



Relative Illumination 像面照度比

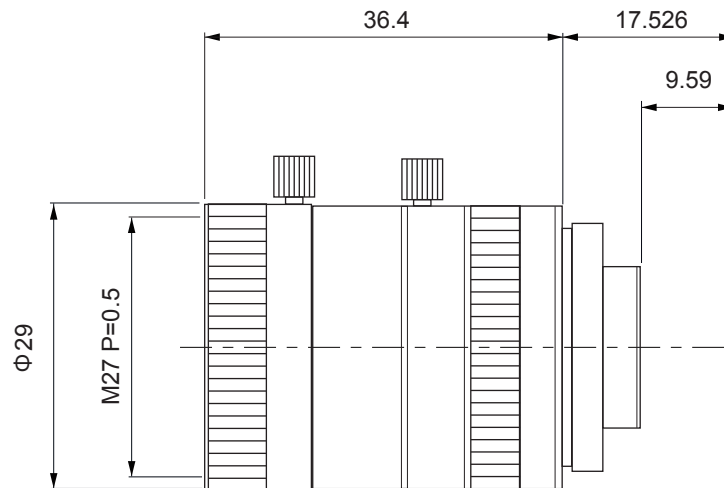


Distortion 歪曲収差



T5-5018

2/3"
50mm
F1.8
5MP



Unit: mm

Image Format	2/3 inch (8.8 x 6.6mm, Φ 11mm)	
Focal Length	50mm	
Relative Aperture	F=1:1.8	
Iris Range	F1.8 to 16	
Angular Field of View	Horizontal	9.1° (2/3inch)
	Vertical	6.8° (2/3inch)
Resolution	5MP	
TV Distortion	-0.03% (2/3inch)	
M.O.D.(Minimum Object Distance)	0.4m * With using extention ring 20mm, the W.D. is 0.1m	
Back Focal Length	11.35mm	
Flange Back Length	17.526mm	
Operation	Focus	Manual with lock screw
	Iris	Manual with lock screw
Lens Mount	C-mount	
Filter Screw	M27 P=0.5	
Dimensions	Φ29 x 36.4 mm	
Weight	62g	
Operating Temperature	-20 to +60°C	